

MAXIMUM CHARACTERISTICS

APPLICATION:

BULKHEAD/ALUMINUM CONSTRUCTION
WEATHERPROOF WHEN INSTALLED

SURGE:

10kA IEC 61000-4-5 8/20µs WAVEFORM

FREQUENCY RANGE:

2.0GHz TO 6.0GHz

VSWR:

≤1.2:1 TYPICAL (≤1.3:1 MAX.)

INSERTION LOSS:

≤0.1dB TYPICAL (≤0.2dB MAX.)

RETURN LOSS:

≥20dB TYPICAL

CONTINUOUS POWER:

10W

LET THROUGH VOLTAGE:

≤±3 VOLTS FOR 3kA @ 8/20µs WAVEFORM

THROUGHPUT ENERGY:

≤0.5µJ FOR 3kA @ 8/20µs WAVEFORM

VIBRATION:

1G @ 5Hz TO 100Hz

TEMPERATURE:

-40°C TO +85°C STORAGE/OPERATING

ENVIRONMENTAL:

MEETS IEC 60529 IP65

MEETS BELLCORE

#TA-NWT-000487 PROCEDURE 4.11

WIND DRIVEN RAIN INTRUSION TEST @ 120MPH

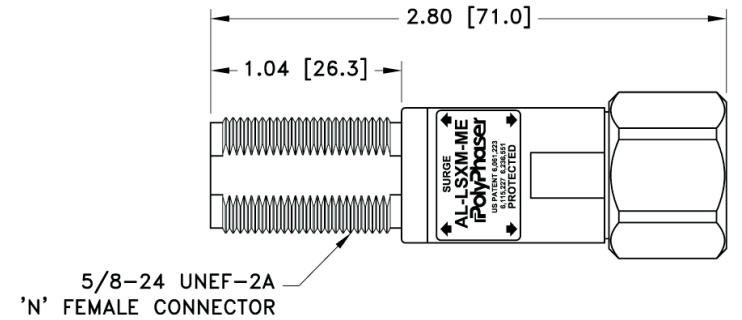
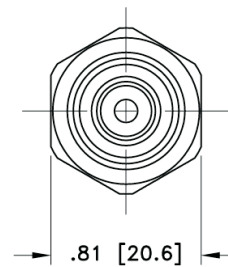
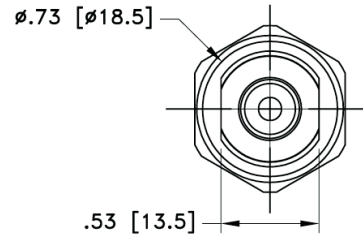
MATERIAL:

BODY: 7075 ALUMINUM

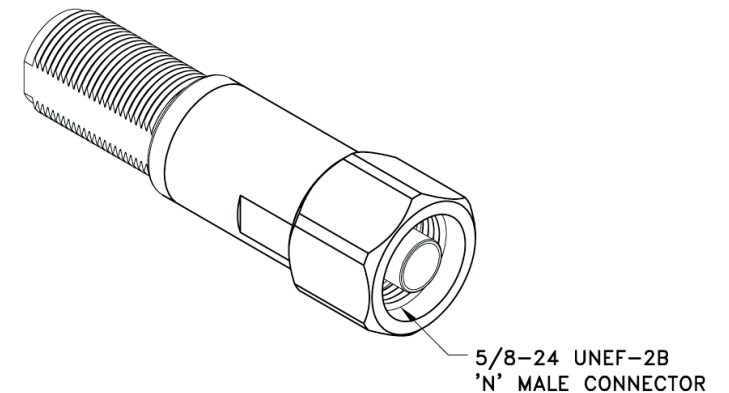
CENTER PINS: BRASS OR BERYLLIUM COPPER

GOLD PLATED PER MIL-G-45204

TYPE II, GRADE C, CLASS 1



5/8-24 UNEF-2A
'N' FEMALE CONNECTOR



5/8-24 UNEF-2B
'N' MALE CONNECTOR